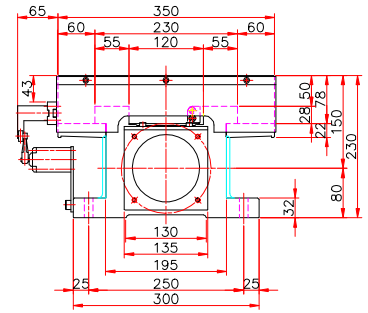
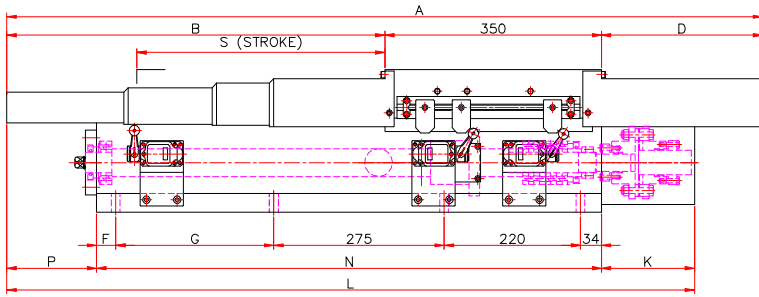


HMF 350 MECHANICAL FEED UNIT (BALL SCREW TYPE)

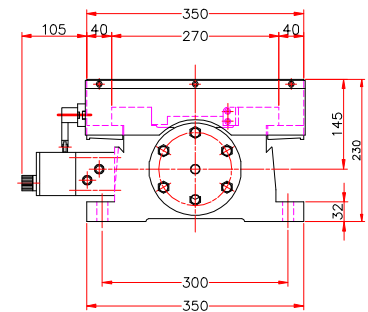
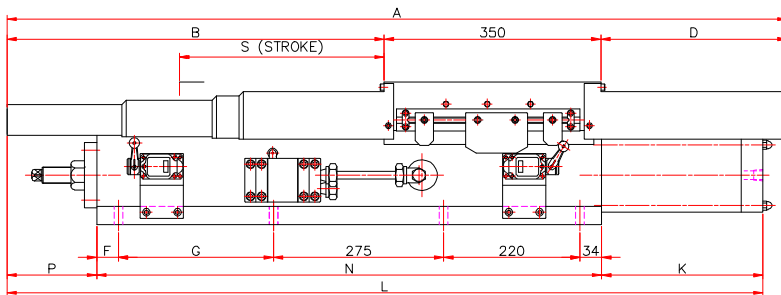


MODEL	A	S STROKE	B	D	G	F	K	N	P	L	EA	BOLT HOLE	BOLT
HMF350-150	1000	150	410	260	0	31	150	585	105	910	8	ø17	M16x60L
HMF350-200	1000	200	410	260	0	31	150	585	105	910	8	ø17	M16x60L
HMF350-250	1000	250	410	260	175	31	150	735	105	910	8	ø17	M16x60L
HMF350-300	1140	300	530	260	175	31	150	735	145	1030	8	ø17	M16x60L
HMF350-350	1140	350	610	260	175	31	150	735	145	1030	8	ø17	M16x60L
HMF350-400	1220	400	610	260	175	111	150	815	145	1110	10	ø17	M16x60L

STANDARD MOTOR	STANDARD COUPLING	STANDARD BALL SCREW	MAX. WEIGHT(KG)	TABLE WEIGHT(KG)	OPTION SPECTION
AC SERVO	DISC-FLEX	STAR 1512-4-1003 ø32x5-4 ROW	650KG	120KG	SERVO MOTOR

제품에 품질향상을 위하여 약간에 변경이 있을수 있습니다. 160805

HHF 350 HYDRAULIC FEED UNIT (CYLINDER TYPE)



MODEL	A	S STROKE	B	D	G	F	K	N	P	L	EA	BOLT HOLE	BOLT
HHF350-150	1060	150	410	300	0	106	260	585	105	1015	8	ø17	M16x60L
HHF350-200	1060	200	410	300	0	106	260	585	105	1115	8	ø17	M16x60L
HHF350-250	1060	250	410	300	0	106	260	735	105	1145	8	ø17	M16x60L
HHF350-300	1160	300	510	300	175	31	260	735	145	1165	8	ø17	M16x60L
HHF350-350	1160	350	510	300	175	31	260	735	145	1265	8	ø17	M16x60L
HHF350-400	1240	400	590	300	175	110	260	815	145	1295	10	ø17	M16x60L

STROKE SCOPE	CYLINDER	ROD DIAMETER	CYLINDER AREA(cm ²)		OPERATING LIQUID(L/min)
			FORWARD	BACK WARD	
150-400	ø80	ø35	50.2	40.6	12.5

제품에 품질향상을 위하여 약간에 변경이 있을수 있습니다. 160805